

1/4" DRIVE EXTENSION

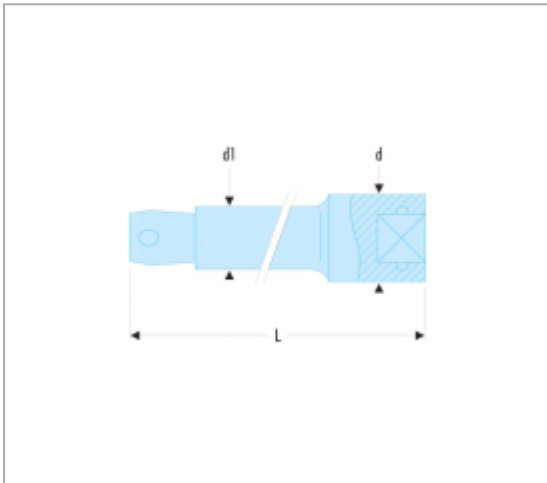


Standards :


NF ISO 3316, ISO 3316, DIN 3123, ASME B107.10

Description :

- Finish: chromed.



References :

	D [MM]	D1 [MM]	L [MM]	[KG]
R.209	12	8,2	55	0.030
R.210	12	8,2	100	0.045
R.215	12	8,2	150	0.065
R.217	12	8,2	250	0.105