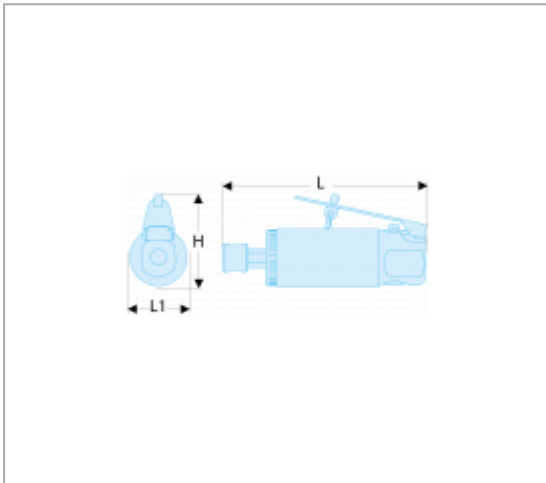


STRAIGHT DIE GRINDER 0.5 CV WITH EXTENSION AND 6MM RETAINER




Description :

- Shaft extension for access in confined spaces.
- Tough “Soft grip” over molded rubber handles insulating against cold and vibrations.
- Air blown away to avoid projections on the operator.
- Built-in silencer and air exhaust pipe connection to lower noise.
- Excellent control with progressive trigger to control speed.



References :

|  | H [MM] | H1 [MM] | L [MM] | VIBRATION [M/S ²] | MAXIMUM RPM [MN] | [KG] |
|---|--------|---------|--------|-------------------------------|------------------|------|
| V.DG515F | 48 | 77 | 267 | 2,21 (K=0,71) | 23000 | 1 |