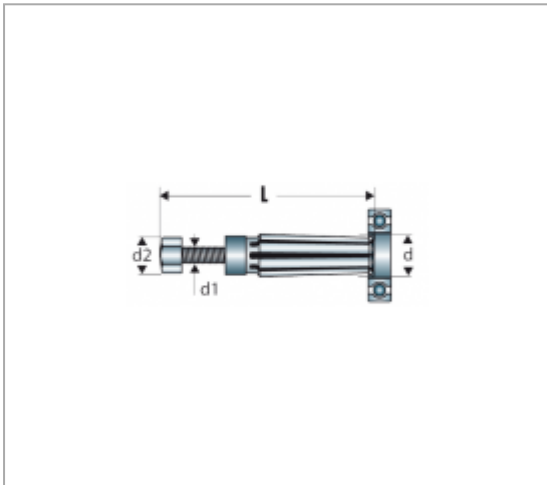


U.49P - CLAMPS FOR INSIDE GRIP





Description :

- High impact and screwing / unscrewing resistance.
- Multiple flexible blades and hardly sensitive to distortion.
- Easy to use.



References :

	D MINI [MM]	D MAXI [MM]	D MINI - MAXI [MM]	D1 [MM]	D2 [MM]	L MAXI [MM]	L [MM]	[G]
U.49P1	6,5	8	6,5 - 8,0	M8	12	76	76	25
U.49P2	8,5	10	8,5 - 10,0	M8	12	76	76	30
U.49P3	10,5	13	10,5 - 13,0	M8	12	88	88	45
U.49P4	13	18	13,0 - 18,0	M8	12	100	100	70
U.49P5	18	22,5	18,0 - 22,5	1/2"	17	112	112	140

	D MINI [MM]	D MAXI [MM]	D MINI - MAXI [MM]	D1 [MM]	D2 [MM]	L MAXI [MM]	L [MM]	[G]
U.49P6	22,5	30	22,5 - 30,0	1/2"	17	139	139	300
U.49P7	30	38	30,0 - 38,0	1/2"	22	158	158	545
U.49P8	38	50	38,0 - 50,0	1/2"	1-1/4"	190	190	1200
U.49P9	50	60	50,0 - 60,0	1/2"	1-1/4"	190	190	1400