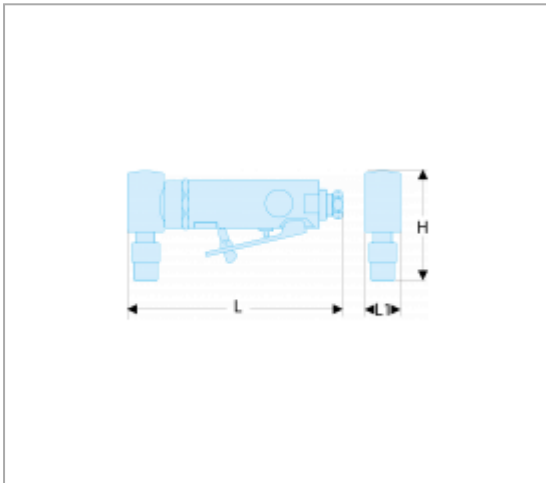


ANGLE DIE GRINDER - 6 MM COLLET




Description :

- Built in air regulator which can be adjusted with a screwdriver.
- Compact angled head for difficult-to-reach places.
- Feather teasing trigger for optimum control.
- Rear exhaust hose blows air away from the workplace, and reduces the sound level.
- Supplied with 6 mm pliers + 2 open end wrenches.



References :

	H [MM]	L [MM]	L1 [MM]	VIBRATION [M/S^2]	MAXIMUM RPM [MN]	[KG]
V.347F	347	160	27	1,52 (K=0,53)	18000	0,66