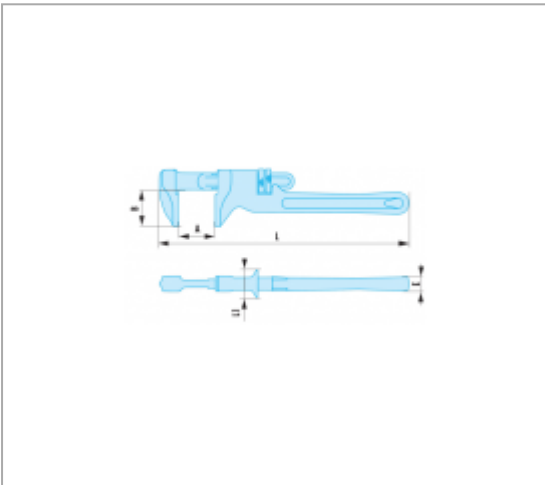


134A.SR - NON SPARKING MONKEY WRENCHES



Description :

- Special non sparking and anti-magnetic Copper-Beryllium alloy.



References :

	A [MM]	B [MM]	E [MM]	L [MM]	L1 [MM]	[G]
134A.8SR	45	35,5	12	240	26	510
134A.12SR	58	43,0	15	305	28	1180
134A.14SR	65	49,5	18	350	32	1220