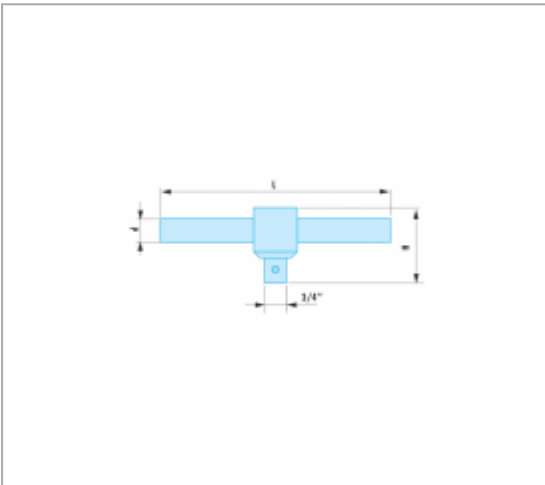


## SKM.120SR - NON SPARKING 1/2" - 3/4" - 1" SLIDING TEE



### Description :

- Special non sparking and anti-magnetic Copper-Beryllium alloy.



### References :

	D [MM]	H [MM]	L [MM]	SQUARE ["]	[G]	[KG]
S.120SR	13	45	250	1/2"	330	
K.120SR	21	62	400	3/4"		1.3
M.120SR	21	72	400	1"		1.6