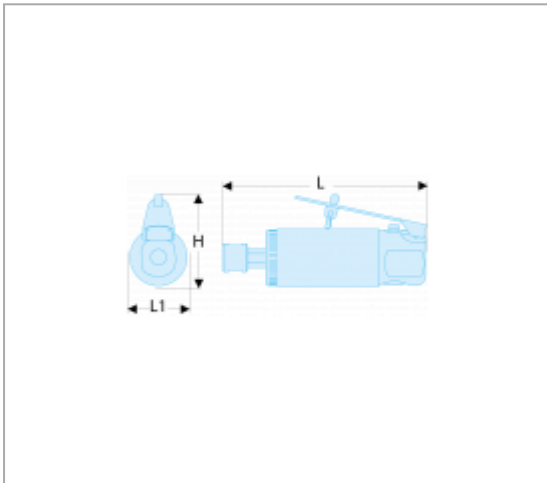


STRAIGHT DIE GRINDER 0.3 CV WITH EXTENSION AND 6MM RETAINER




Description :

- Shaft extension for access in confined spaces.
- Durable and powerful 0.3 CV motor for high productivity.
- Tough “Soft grip” over molded rubber handles insulating against cold and vibrations.
- Air blown away to avoid projections on the operator.
- Built-in silencer and air exhaust pipe connection to lower noise.
- Excellent control with progressive trigger to control speed.



References :

	H [MM]	L [MM]	L1 [MM]	VIBRATION [M/S^2]	MAXIMUM RPM [MN]	[KG]
V.DGE300F	70	255	39	2,86 (K=0,78)	28000	0.664