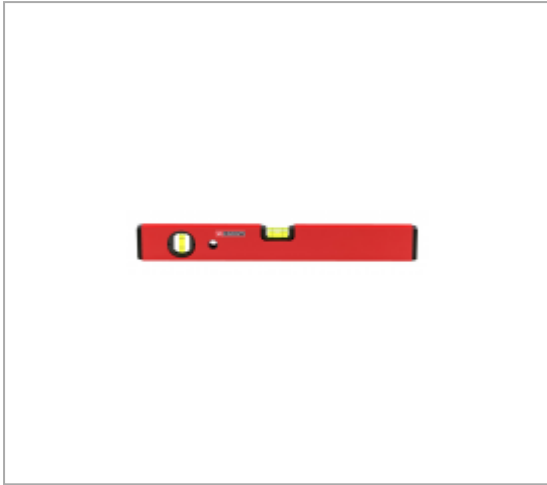


## 320B - STANDARD LEVELS, 1 MACHINED SOLE PLATE

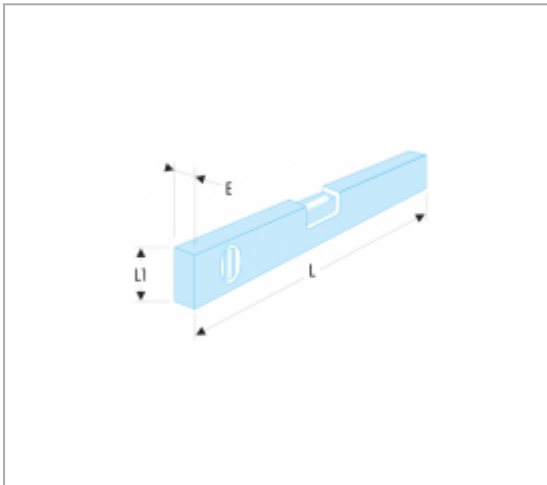


### Standards :


DIN 877

### Description :

- In reverse position, accuracy 0.75 mm/m.
- Light alloy body, drawn.
- Electrostatic powder coating.
- Vertical vial and horizontal vial.



### References :

	E [MM]	L [MM]	L1 [MM]	[G]
320B.40	21	400	50	96
320B.60	21	600	50	106