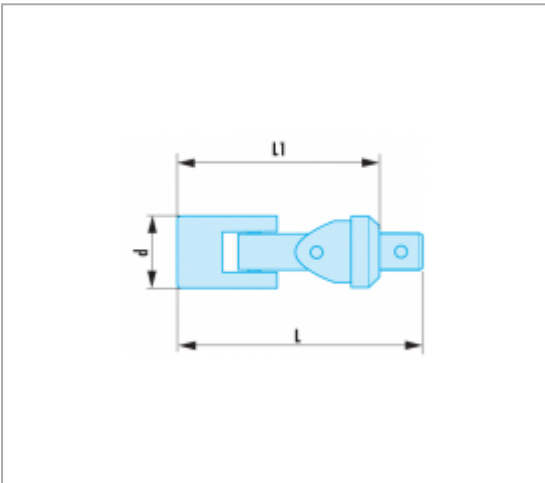


SKM.240SR - NON SPARKING 1/2" - 3/4" - 1" UNIVERSAL JOINTS




Description :

- Special non sparking and anti-magnetic Copper-Beryllium alloy.



References :

	D [MM]	L [MM]	L1 [MM]	SQUARE ["]	[G]	[KG]
S.240SR	25	80	65	1/2"	185	
K.240SR	38	110	90	3/4"	500	
M.240SR	48	133	95	1"		1