

311B - MAGNETIC LEVELS, 1 MACHINED SOLE PLATE

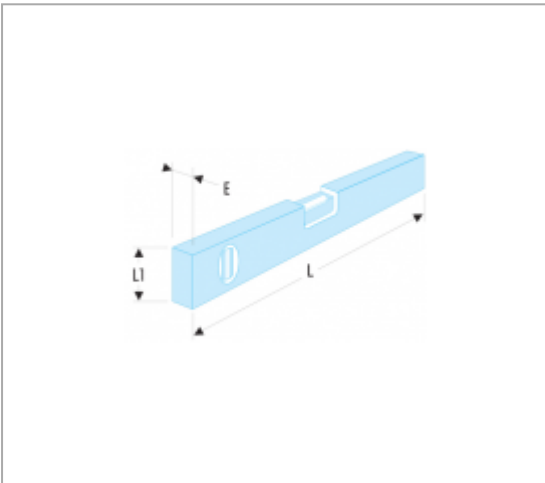


Standards :


DIN 877

Description :

- In reverse position, accuracy 0.5 mm/m. • Fitted with a vertical vial, horizontal vial, and a declivity vial.



References :

|  | E [MM] | L [MM] | L1 [MM] | [G] |
|---|--------|--------|---------|-----|
| 311B.60 | 25 | 600 | 54 | 184 |
| 311B.80 | 25 | 800 | 54 | 378 |