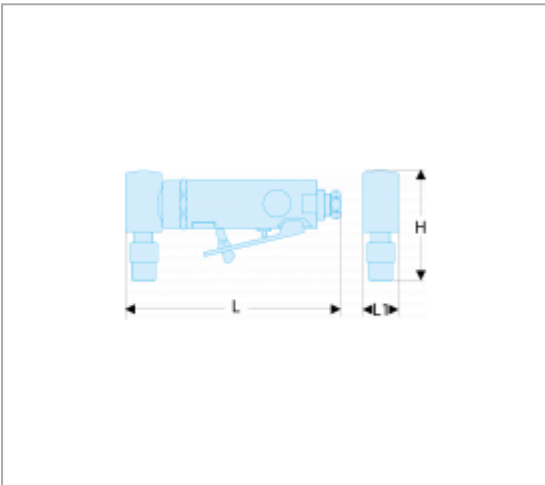


ANGLED PNEUMATIC GRINDER 50 MM - 2"




Description :

- For light cutting applications in difficult areas.
- Compact size for improved accessibility.
- Low noise technology.
- Vibration absorbing grip.
- Secured guard.
- Rotating side exhaust.
- Safety lever.
- Trimming grinder diam. 50 mm.



References :

	H [MM]	L [MM]	L1 [MM]	VIBRATION [M/S ²]	MAXIMUM RPM [MN]	[KG]
V.CA50F	85	138	59	1,7 (K=1,02)	20000	0.54