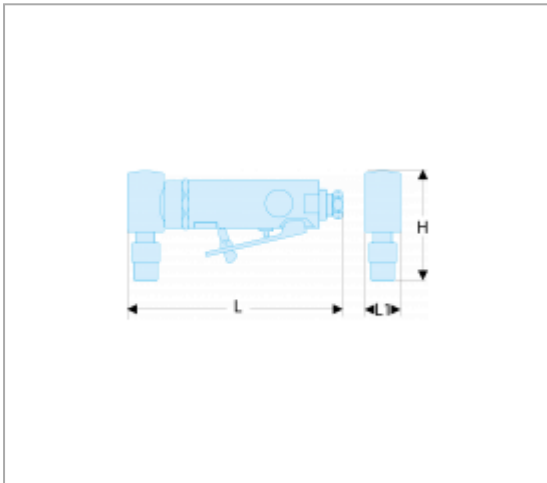


90° ANGLE DIE GRINDER 0.3 CV WITH 6MM RETAINER




Description :

- 90° angle transmission to work on vertical surfaces.
- Tough “Soft grip” over molded rubber handles insulating against cold and vibrations.
- Air blown away to avoid projections on the operator.
- Built-in silencer and air exhaust pipe connection to lower noise.
- Excellent control with progressive trigger to control speed.



References :

	H [MM]	L [MM]	L1 [MM]	VIBRATION [M/S ²]	MAXIMUM RPM [MN]	[KG]
V.DGA305F	75	165	27	4,54 (K=0,94)	23000	555