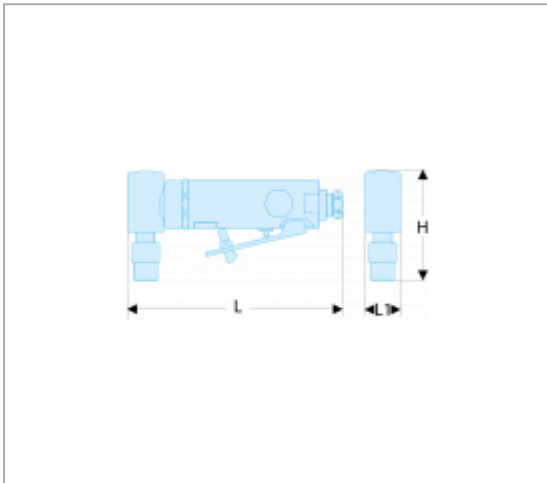


## 120° ANGLE DIE GRINDER 0.3 CV WITH 6MM RETAINER




### Description :

- 120° angle transmission improving work ergonomics in certain applications.
- Tough “Soft grip” over molded rubber handles insulating against cold and vibrations.
- Air blown away to avoid projections on the operator.
- Built-in silencer and air exhaust pipe connection to lower noise.
- Excellent control with progressive trigger to control speed.



### References :

	H [MM]	L [MM]	L1 [MM]	VIBRATION [M/S <sup>2</sup> ]	MAXIMUM RPM [MN]	[KG]
V.DGA310F	68	189	27	5,22 (K=1,07)	24000	0.56