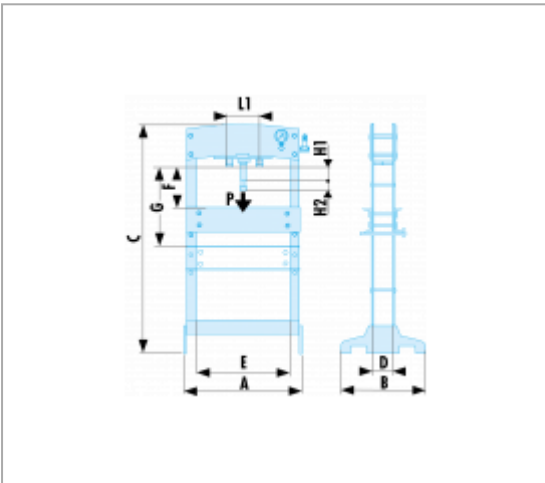


30 TONS HYDRO-PNEUMATIC PRESSE




Description :

Lateral moving jack.
 Integral pusher support + pushers included.
 Supplied with pair of Vees.
 Quick approach with the handle and the air hand trigger .
 Winch
 Strong and stable construction.
 Floor anchoring possible.
 Eye level pressure gauge for a better visibility.



References :

	A [MM]	B [MM]	C [MM]	TON [T]	[KG]
W.430PN	975	700	1800	30	185