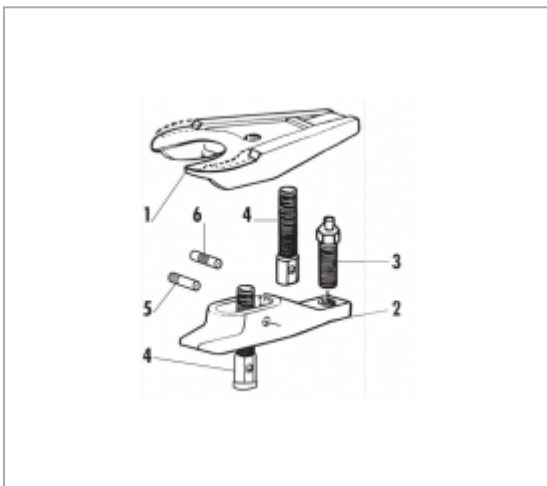


U.16 - BALL JOINT PULLERS



Description :

- Used to dismount steering and suspension ball joints.
- Supplied with a set of 2 spare safety pins.
- U.16-05J3: Set of 3 pins for U.16B and U.16A18.
- U.16-A45-05J3: Set of 3 shear pins for U.16B32 and U.16B45.



References :

	A [MM]	D [MM]	H [MM]	WIDTH L [MM]	L [MM]	[KG]
U.16B32	80	32	75		158	2.5
U.16A45	80	45	90		158	2.6
U.16A18	45	16		100	100	0,635
U.16B	45	22		100	100	0,665