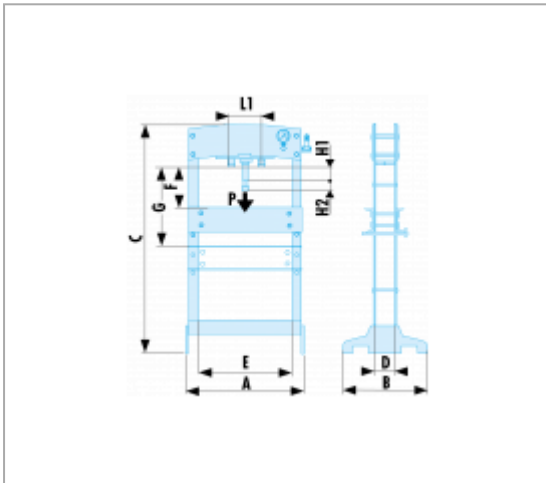


## 50 TONS HYDRO-PNEUMATIC PRESSE




### Description :

Lateral moving jack.  
 Integral pusher support + pushers included.  
 Supplied with pair of Vees.  
 Quick approach with the handle and the foot pedal.  
 Winch  
 Strong and stable construction.  
 Floor anchoring possible.  
 Eye level pressure gauge for a better visibility.



### References :

	A [MM]	B [MM]	C [MM]	TON [T]	[KG]
W.450PNA	1180	1100	1877	50	298