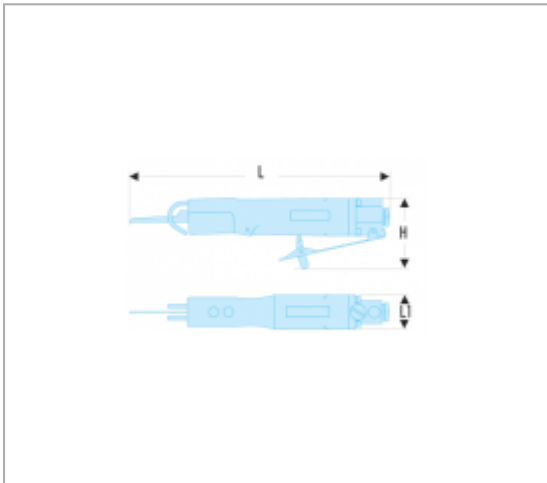


## SABRE SAW




### Description :

- 10000 oscillations per minute for efficient cutting.
- Adjustable guide for the saw blade.
- Comfort rubber grip over aluminium to insulate.
- Teasing trigger for great control.
- Air inlet swivels to avoid coiling of the hose.
- Delivered in a starter package with 3 x 10 teeth/cm and 3 x 12 teeth/cm blades.
- Blows per minute 10000 bpm.
- Working pressure 6,2 bar.
- Average air consumption 32 l/min.
- Air inlet 1/4".
- Minimum hose diameter 10 mm - 3/8".
- Vibration 17,10 m/s<sup>2</sup>/a.
- Vibration 2,19 m/s<sup>2</sup>/K.
- Sound pressure 83,50 dB(A).
- Sound power 94,50 dB(A).
- Available as accessories: - Set of 6 x 12 teeth/cm blades: V.770F1. - Set of 6 x 10 teeth/cm blades: V.770F2.



### References :

	H [MM]	L [MM]	L1 [MM]	[G]
V.770F	75	270	36	800