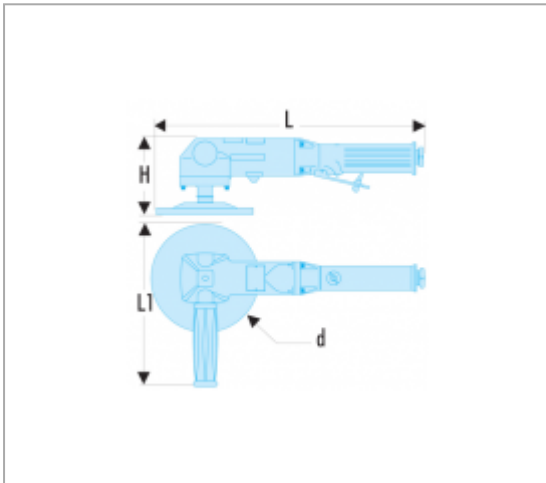


ANGLE SANDER DIAMETER 178 MM




Description :

- Feather teasing trigger for optimum control.
- Speed control screw for use in different applications.
- Second handle for better grip.
- Hardened and ground spiral bevel gears for best durability.
- Delivered with a 178 mm backing pad for efficient sanding on large surfaces.



References :

	D [MM]	H [MM]	L [MM]	L1 [MM]	VIBRATION [M/S ²]	MAXIMUM RPM [MN]	[KG]
V.411F	178	101	373	229	9,2 (K=1,78)	4500	2,6